

6.5 Furniture, Fixtures, Equipment and Contents

6.5.6 *Miscellaneous Contents*

6.5.6.4 Fire Extinguisher and Cabinet

Fire extinguishers are often hung from a wall-mounted hook or placed in cabinets which may be wall-mounted.

Typical Causes of Damage

- Extinguishers can fall and roll; they may be damaged and not function properly. If located in a glazed enclosure, the enclosure may be damaged and the glass may break.

DAMAGE EXAMPLE



Figure 6.5.6.4-1 Fire extinguishers damaged during the 2010 magnitude-8.8 Chile Earthquake at an industrial facility (Photos courtesy of Antonio Iruretagoyena, Rubén Boroschek & Associates).

Seismic Mitigation Considerations

- Provide safety fasteners with quick release straps for fire extinguishers.
- Anchor cabinets for extinguishers and hoses to structural wall or studs.

MITIGATION DETAILS

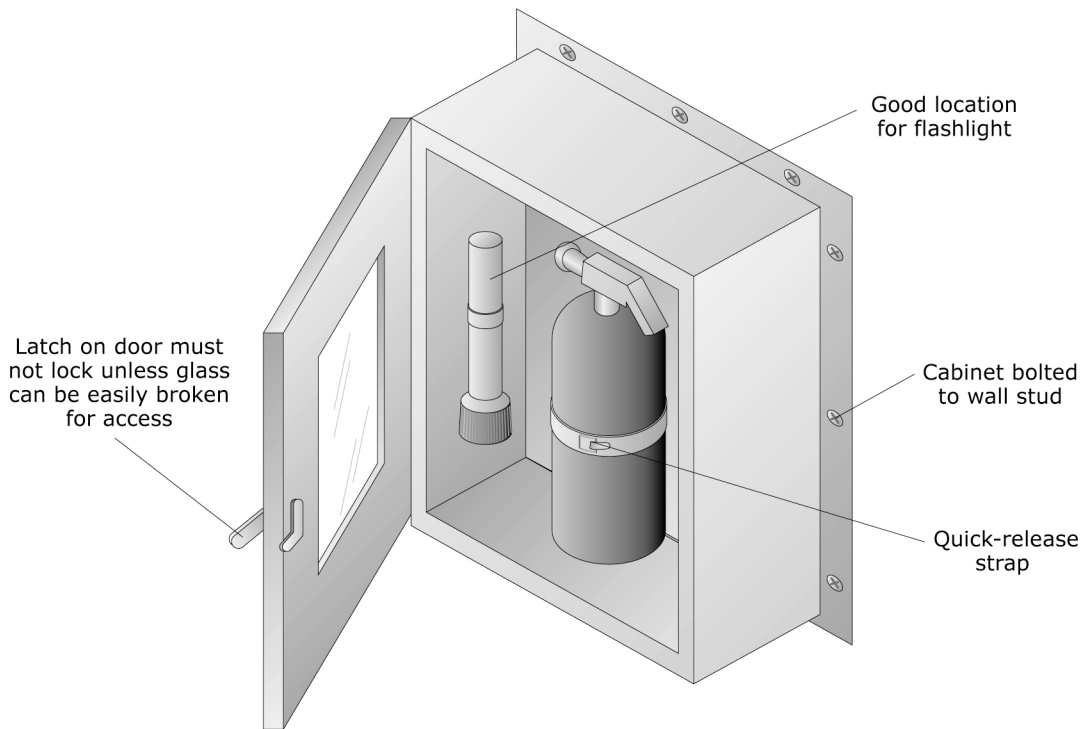


Figure 6.5.6.4-2 Fire extinguisher and cabinet (NE).